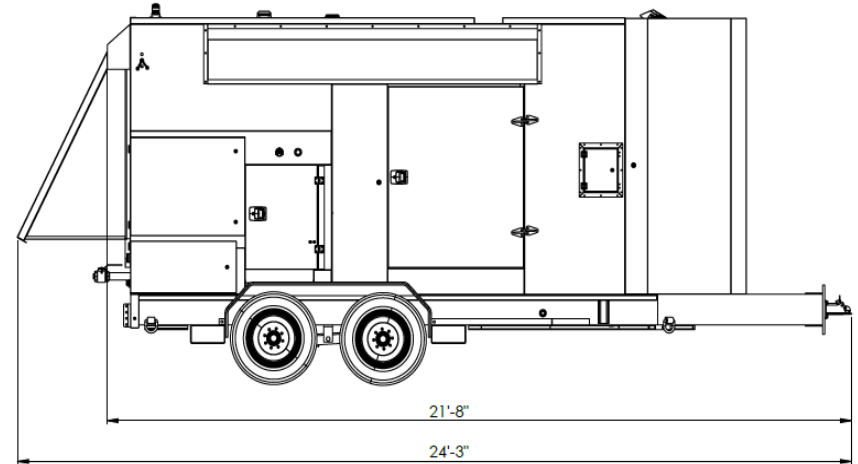
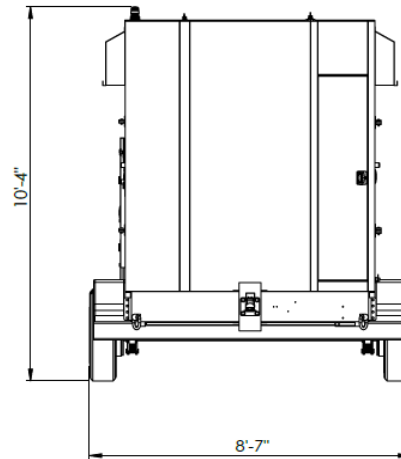




MODEL NUMBER: 22L-S-NA1-DS-N



| Genset Information | |
|--------------------|------------------|
| Voltage | 480 V |
| Frequency | 60 Hz |
| NG PRP Rating | 350 kW 438 kVA |
| LP PRP Rating | 310 kW 388 kVA |
| Wet Weight | 15,289 lbs |

| Engine Information | |
|----------------------|--------------------------------|
| Model | PSI 21.9L |
| Nameplate Rating | 434 kW 581 hp |
| Speed | 1,800 rpm |
| Displacement | 21.9 L 1,336 in ³ |
| Cylinder Arrangement | 12 Cylinders V-type |
| Aspiration Mode | Turbocharged |

| Fuel Consumption* | | |
|-------------------|------------------|------------------|
| Load % | NG Rating | LP Rating |
| 100% | 4,174,532 Btu/hr | 3,826,061 Btu/hr |
| 75% | 3,273,382 Btu/hr | 2,928,679 Btu/hr |
| 50% | 2,398,244 Btu/hr | 2,143,244 Btu/hr |
| 25% | 1,549,117 Btu/hr | 1,469,754 Btu/hr |

* NG: HHV=1,041 Btu/scf (39 MJ/m³)
 LP: HHV=2,538 Btu/scf (95 MJ/m³)

| Control System | |
|-------------------------------|---------------|
| Controller Type | DSE 8610 MKII |
| Synchronizing & Load Sharing | Yes |
| Telemetry & Remote Monitoring | Yes |

| Alternator | |
|----------------------|-------------------|
| Manufacturer | Stamford |
| Model | S4L1D-G4 Wdg. 311 |
| Rated Power Factor | 0.8 PF |
| Rating | 450 kW 563 kVA |
| Excitation Type | PMG |
| Insulation Class | Class H |
| Temp. Rise / Ambient | 125 / 40°C |
| Enclosure | IP23 |

| Emission Control | |
|------------------|-----|
| AFR Controller | Yes |
| NSCR Catalyst | Yes |