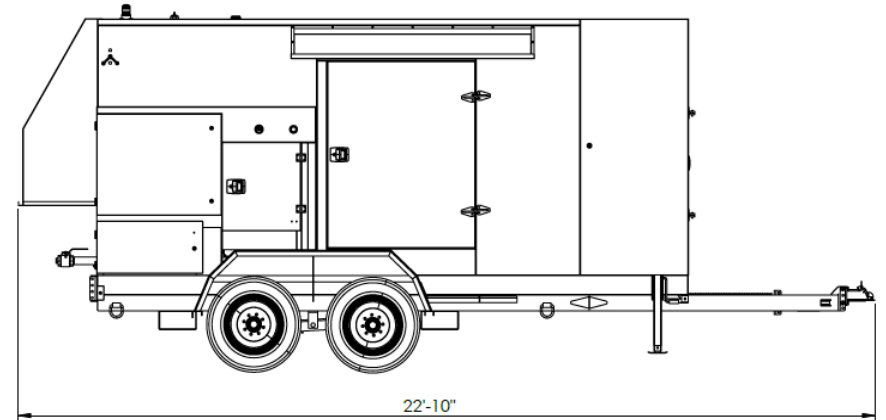
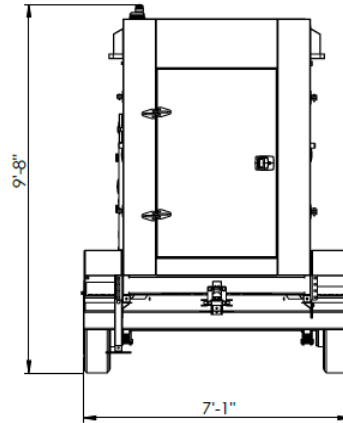




# 70kW 60Hz Commercial and Industrial Generator Set

1063R1\_4.12.22



MODEL NUMBER: 8NA-S-MSV1-DF-400F

## Wiring Configurations

Rated Voltage	480/277	208/120	240/120	240/120
Winding Configuration	Hi-Wye	Lo-Wye	Delta	Zig Zag
Phase	3	3	3	1
Prime Power	70 kW   87 kVA	70 kW   87 kVA	70 kW   87 kVA	36 kW   46 kVA
Rated Amps	105	242	210	191

## Fuel Consumption\*

Load %	NG Rating	LP Rating
100%	896,265 Btu/hr	862,409 Btu/hr
75%	730,158 Btu/hr	698,160 Btu/hr
50%	569,069 Btu/hr	545,190 Btu/hr
25%	412,999 Btu/hr	403,500 Btu/hr

\* NG: HHV=1,041 Btu/scf (39 MJ/m<sup>3</sup>)  
 LP: HHV=2,538 Btu/scf (95 MJ/m<sup>3</sup>)

## Genset Information

Voltage	480 V
Frequency	60 Hz
NG PRP Rating	70 kW   87 kVA
LP PRP Rating	70 kW   87 kVA
Wet Weight	9,689 lbs

## Engine Information

Model	PSI 8.1L
Nameplate Rating	88 kW   118 hp
Speed	1,800 rpm
Displacement	8.1 L   492 in <sup>3</sup>
Cylinder Arrangement	6 Cylinders Inline
Aspiration Mode	Natural

## Control System

Controller Type	DSE 8610 MKII
Synchronizing & Load Sharing	Yes
Telemetry & Remote Monitoring	Yes

## Emission Control

AFR Controller	Yes
NSCR Catalyst	Yes

## Alternator

Manufacturer	Stamford
Model	UCI274E Wdg. 311
Rated Power Factor	0.8 PF
Rating	143 kW   179 kVA
Excitation Type	PMG
Insulation Class	Class H
Temp. Rise / Ambient	125 / 40°C
Enclosure	IP23