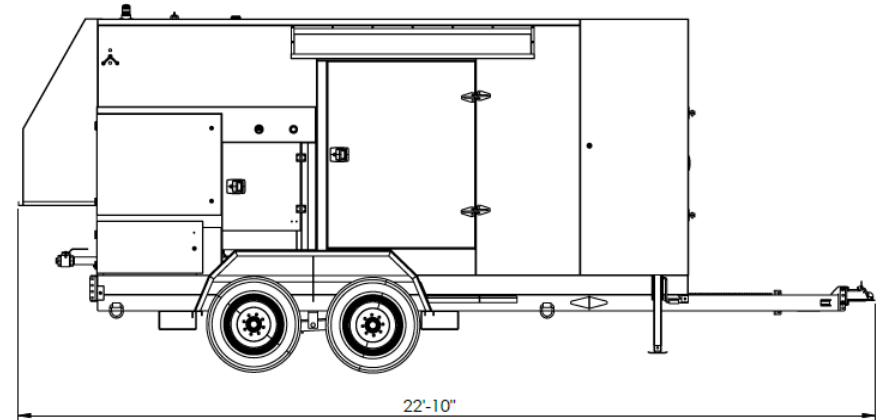
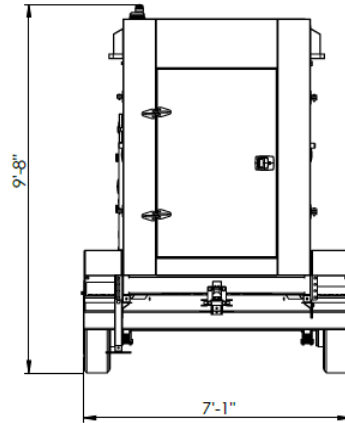




# 125kW 60Hz Commercial and Industrial Generator Set

1063R1\_4.12.22



MODEL NUMBER: 8T-S-MVS1-DF-400F

## Wiring Configurations

Rated Voltage	480/277	208/120	240/120	240/120
Winding Configuration	Hi-Wye	Lo-Wye	Delta	Zig Zag
Phase	3	3	3	1
Prime Power	125 kW   156 kVA	125 kW   156 kVA	125 kW   156 kVA	68 kW   85 kVA
Rated Amps	187	433	376	354

## Fuel Consumption\*

Load %	NG Rating	LP Rating
100%	1,509,862 Btu/hr	1,314,246 Btu/hr
75%	1,191,291 Btu/hr	1,043,871 Btu/hr
50%	884,639 Btu/hr	771,043 Btu/hr
25%	589,905 Btu/hr	495,763 Btu/hr

\* NG: HHV=1,041 Btu/scf (39 MJ/m<sup>3</sup>)  
LP: HHV=2,538 Btu/scf (95 MJ/m<sup>3</sup>)

## Genset Information

Voltage	480 V
Frequency	60 Hz
NG PRP Rating	125 kW   156 kVA
LP PRP Rating	105 kW   131 kVA
Wet Weight	10,029 lbs

## Engine Information

Model	PSI 8.1L
Nameplate Rating	150 kW   201 hp
Speed	1,800 rpm
Displacement	8.1 L   492 in <sup>3</sup>
Cylinder Arrangement	6 Cylinders Inline
Aspiration Mode	Turbocharged

## Alternator

Manufacturer	Stamford
Model	UCI274G Wdg. 311
Rated Power Factor	0.8 PF
Rating	185 kW   231 kVA
Excitation Type	PMG
Insulation Class	Class H
Temp. Rise / Ambient	125 / 40°C
Enclosure	IP23

## Control System

Controller Type	DSE 8610 MKII
Synchronizing & Load Sharing	Yes
Telemetry & Remote Monitoring	Yes

## Emission Control

AFR Controller	Yes
NSCR Catalyst	Yes